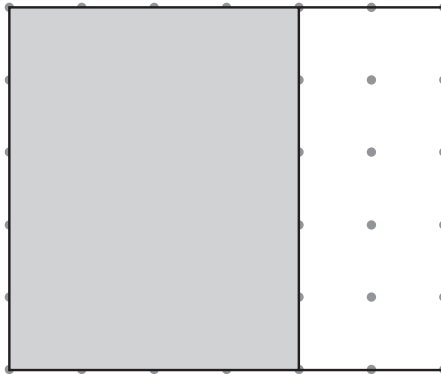


Name _____

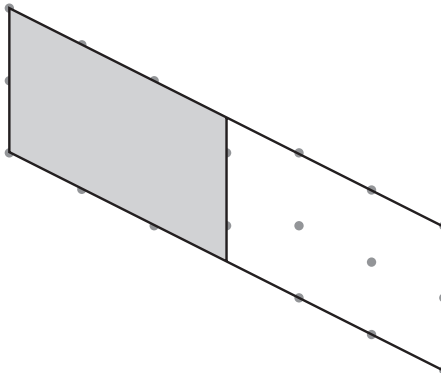
Fraction Names

Find fraction names for each shaded region. Explain how you saw each name you found.

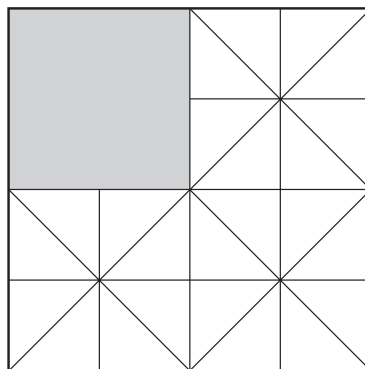
1.



2.



3.



Fraction names—63